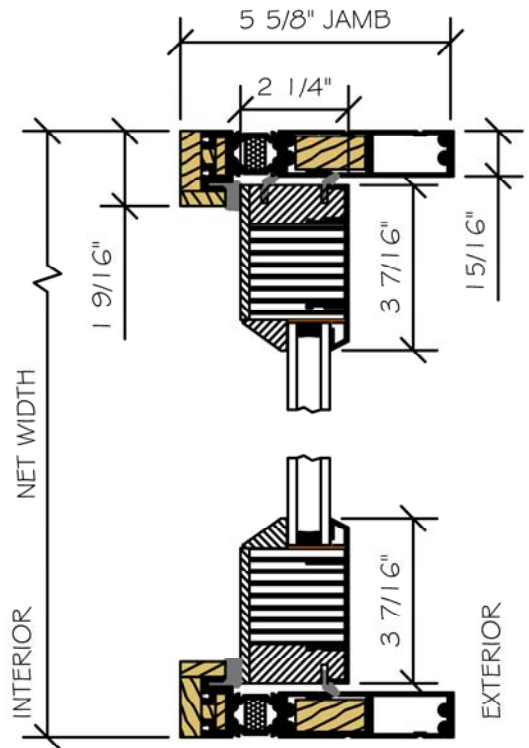


SECTION VIEW






PLAN VIEW

NO WARRANTY FOR WATER, WIND, OR DUST PENETRATION ON BIFOLDS WITH ADA ULTRA GUIDE.

ENERGY SOLUTIONS
EUROPEAN CLAD BIFOLD
W/ADA ULTRA GUIDE
SCALE: 3" = 1'-0

PROPRIETARY AND CONFIDENTIAL
THIS DRAWING AND ITS CONTENTS ARE THE
PROPERTY OF AG MILLWORKS. REPRODUCTION
OF ANY PART OF THE DRAWING IN ANY FORM
WHATSOEVER WITHOUT THE PRIOR WRITTEN
PERMISSION OF AG MILLWORKS IS STRICTLY
FORBIDDEN. © 2013 AG MILLWORKS

STICKING OPTIONS

-  SQUARE
-  BEVEL
-  OVOLO

TO PRINT TO SCALE,
SELECT "ACTUAL SIZE" OR
DESELECT "FIT TO PAGE"
IN PRINT DIALOGUE BOX