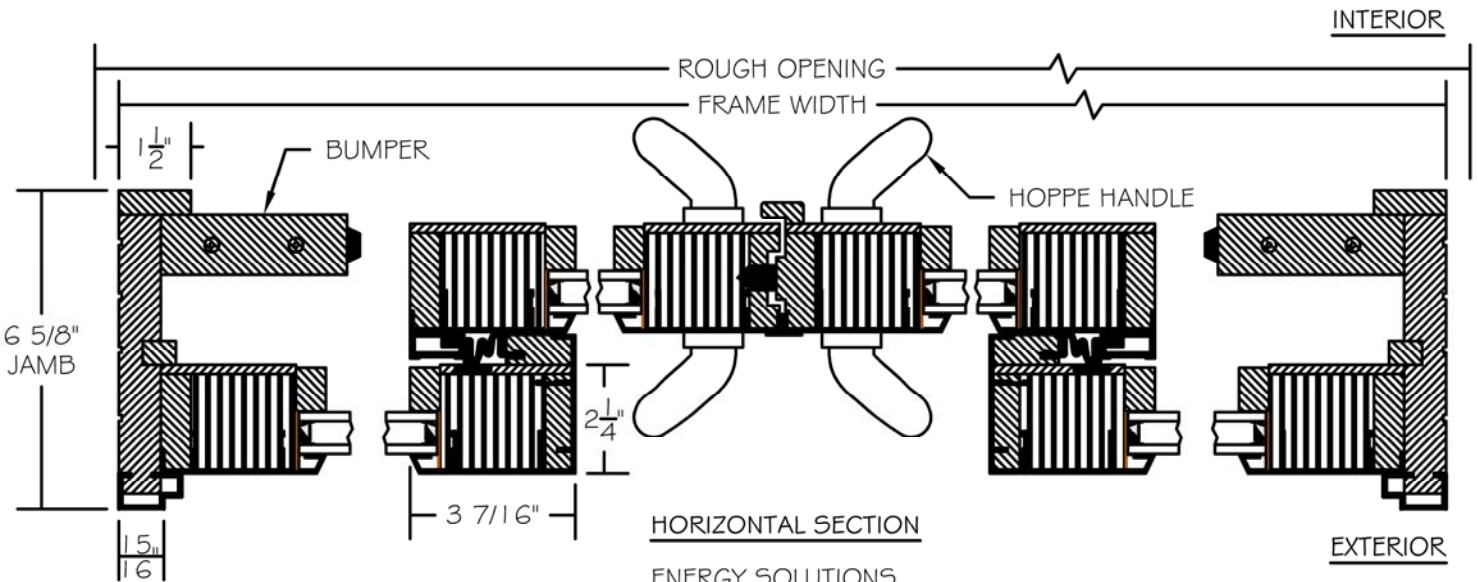
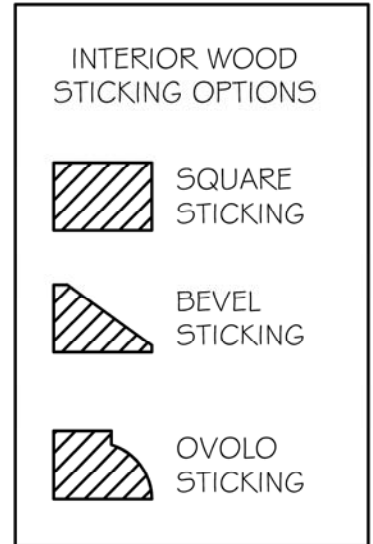
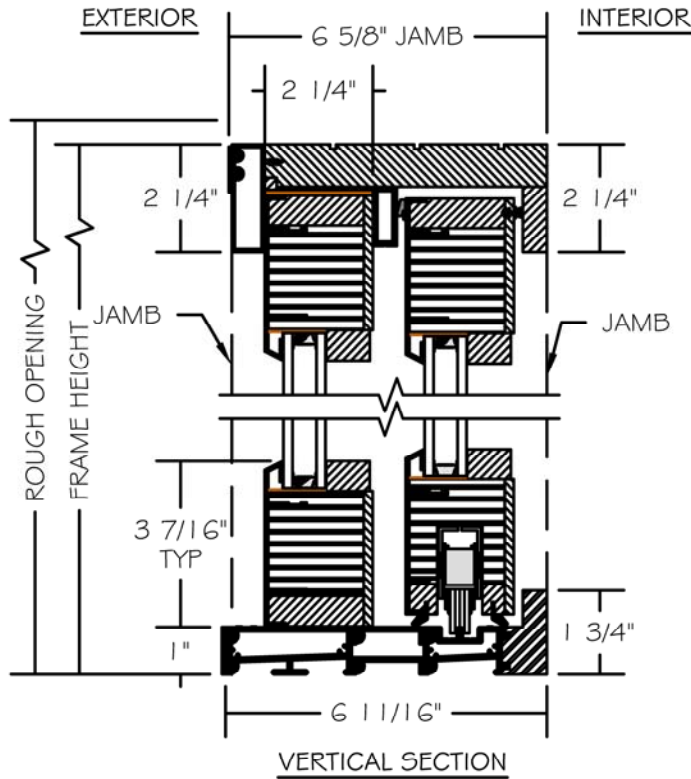


(SPECIFICATIONS MAY CHANGE WITHOUT NOTICE TO IMPROVE FUNCTION OR DESIGN)



ENERGY SOLUTIONS
EUROPEAN CLAD/WOOD
(OX XO) SLIDER w/SILLution

SCALE: 3" = 1'-0"

TO PRINT TO SCALE, SELECT "ACTUAL SIZE" OR DESELECT "FIT TO PAGE" IN PRINT DIALOGUE BOX

PROPRIETARY AND CONFIDENTIAL
THIS DRAWING AND ITS CONTENTS ARE THE PROPERTY OF AG MILLWORKS. REPRODUCTION OF ANY PART OF THE DRAWING IN ANY FORM WHATSOEVER WITHOUT THE PRIOR WRITTEN PERMISSION OF AG MILLWORKS IS STRICTLY FORBIDDEN. © 2013 AG MILLWORKS