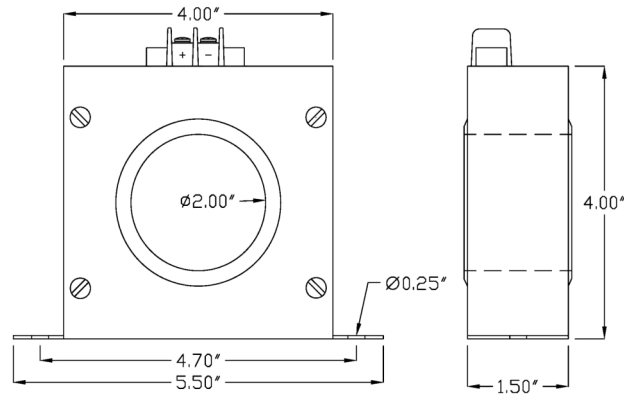
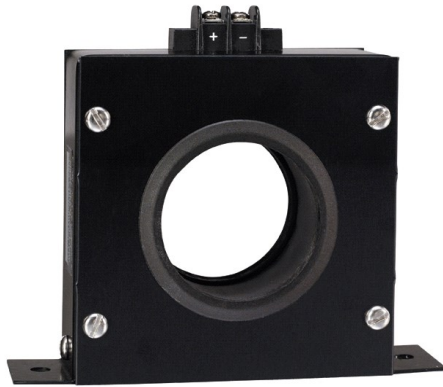


MODEL 420XL



STANDARD CURRENT RANGES

A.C. Amps, RMS

0-300, 400, 500, 600

PERFORMANCE SPECIFICATIONS *with Optimum Load Resistance*

Accuracy	0.2% (Standard)
Repeatability	0.1% Full Scale
Response Time	150 Milliseconds Maximum
Temperature Range	-25°C to 85°C
Temperature Coefficient	0.04% F.S./ °C
Conductor Cable Voltage	5000 Volts
Supply Voltage	5 to 40 V.D.C.
Signal Out	4 to 20 m.A.
Frequency	Nominal 50/60 Hz

CONNECTION SPECIFICATIONS

Conductor Cable Size	Up to 2.0" diameter
Isolation	Input/Output/Case
Insulation Resistance (between Output and Case)	100 Meg. Ohm Min. @500 V.D.C.

ADDITIONAL SPECIFICATIONS

Max Weight (unit)	20 oz.
-------------------	--------



Manufacturer maintains right to change specifications without notice.

WWW.KISCURRENTSENSORS.COM

info@kiscurrentsensors.com

Toll Free: 800.258.9751

Fax: 281.492.0150